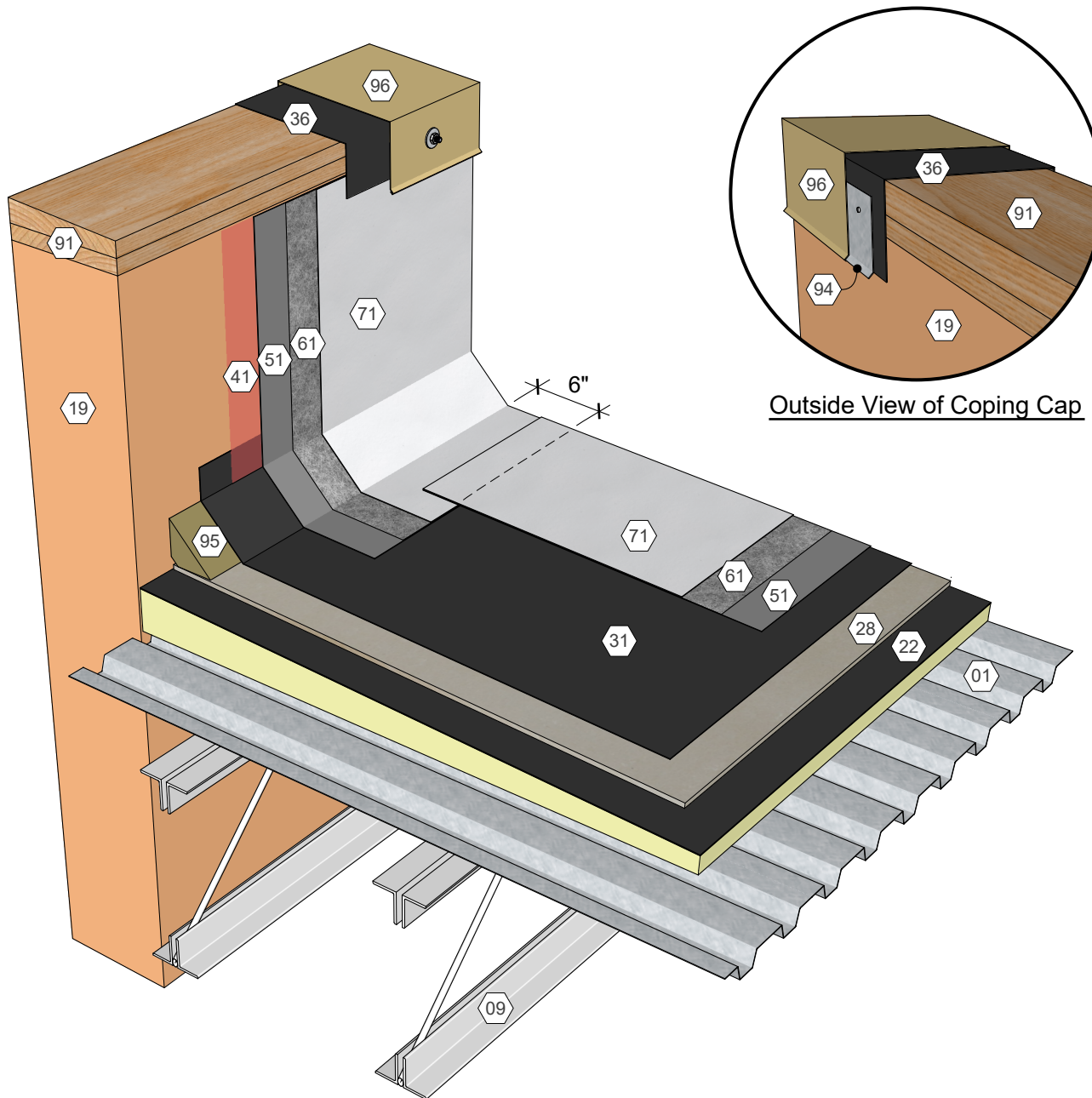


KEY NOTES

- 01 Metal Deck
- 09 Roof Structure
- 19 Wall Assembly
- 22 Polyisocyanurate Insulation (Fastened or Adhered)
- 28 Cover Board (Adhered)
- 31 Approved Base Ply Sheet
- 36 Base Sheet Liner
- 41 Approved Primer
- 51 AlphaGuard MT/MTS Base Coat
- 61 AlphaGuard Glass Mat or Permafab
- 71 AlphaGuard MT/MTS Top Coat
- 91 Wood Blocking
- 94 Continuous Cleat
- 95 Cant Strip
- 96 Metal Coping



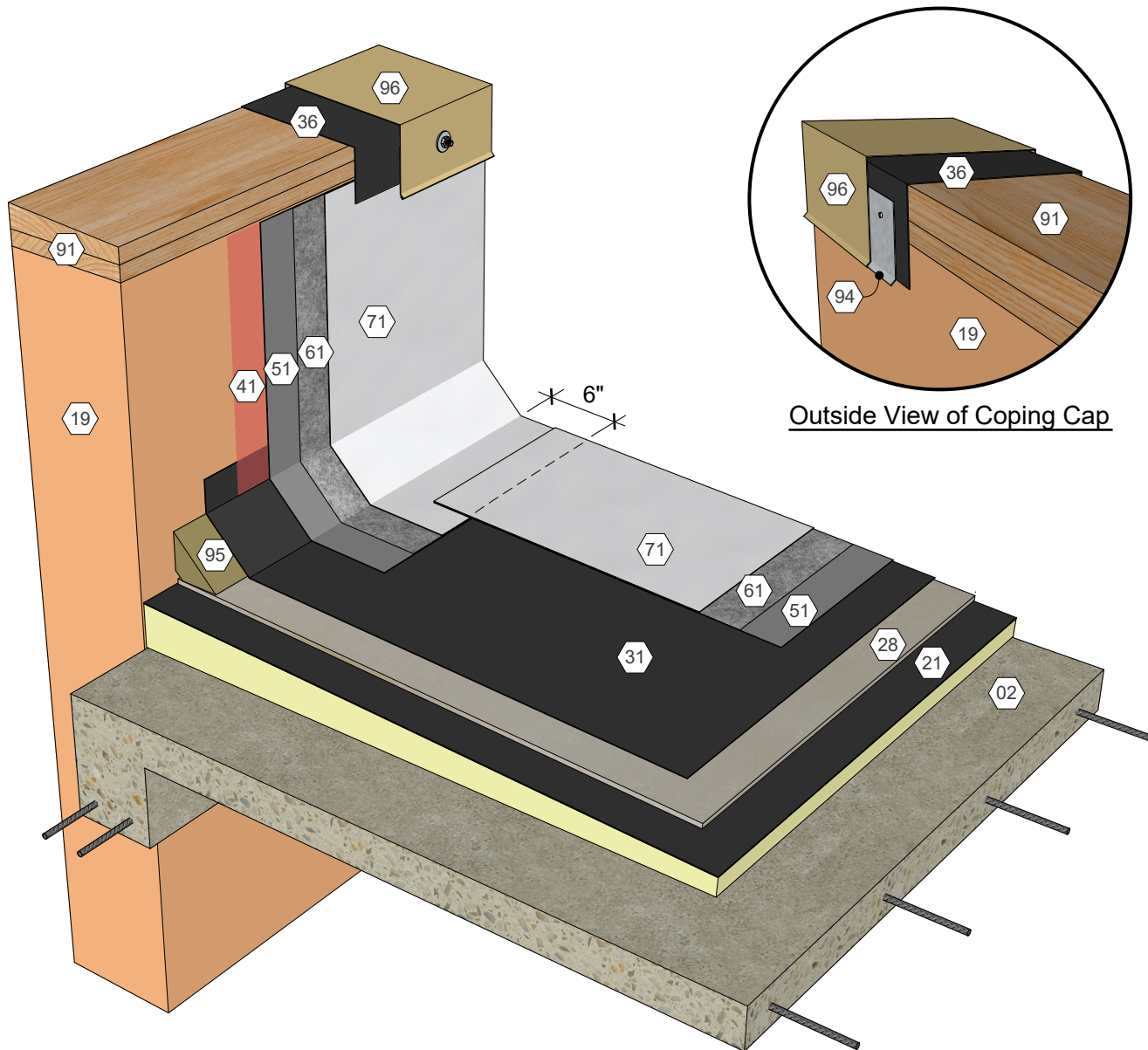
Outside View of Coping Cap

AlphaGuard® MT/MTS Plus Coping Cap Detail, Metal Deck
Detail 22011

TREMCO
ROOFING & BUILDING MAINTENANCE

KEY NOTES

- 02 Structural Concrete Deck
- 19 Wall Assembly
- 21 Polyisocyanurate Insulation (Adhered)
- 28 Cover Board (Adhered)
- 31 Approved Base Ply Sheet
- 36 Base Sheet Liner
- 41 Approved Primer
- 51 AlphaGuard MT/MTS Base Coat
- 61 AlphaGuard Glass Mat or Permafab
- 71 AlphaGuard MT/MTS Top Coat
- 91 Wood Blocking
- 94 Continuous Cleat
- 95 Cant Strip
- 96 Metal Coping



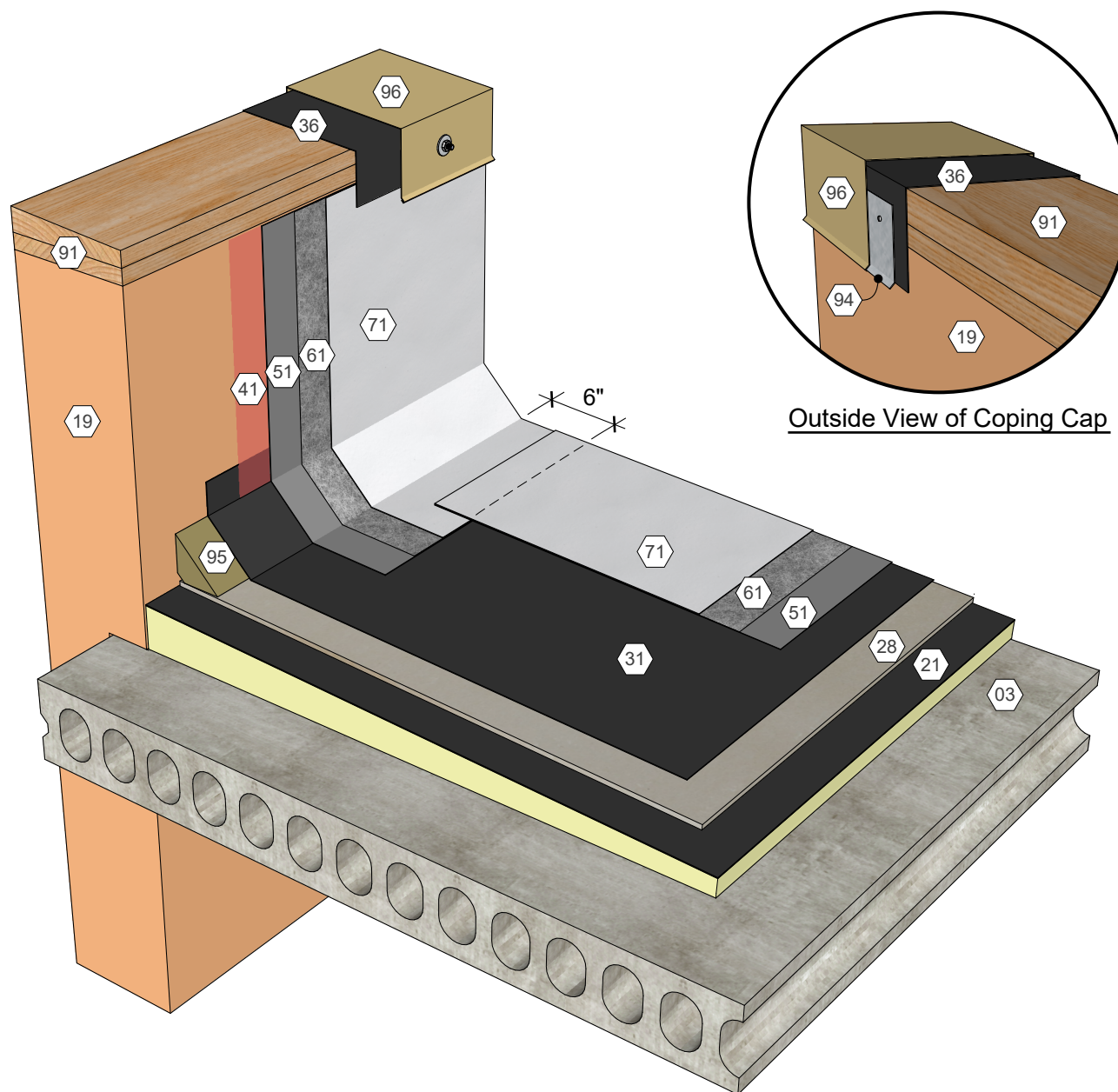
Outside View of Coping Cap

AlphaGuard® MT/MTS Plus Coping Cap Detail, Structural Concrete Deck
 Detail 22012

TREMCO
 ROOFING & BUILDING MAINTENANCE

KEY NOTES

- 03 Precast Concrete Deck
- 19 Wall Assembly
- 21 Polyisocyanurate Insulation (Adhered)
- 28 Cover Board (Adhered)
- 31 Approved Base Ply Sheet
- 36 Base Sheet Liner
- 41 Approved Primer
- 51 AlphaGuard MT/MTS Base Coat
- 61 AlphaGuard Glass Mat or Permafab
- 71 AlphaGuard MT/MTS Top Coat
- 91 Wood Blocking
- 94 Continuous Cleat
- 95 Cant Strip
- 96 Metal Copping



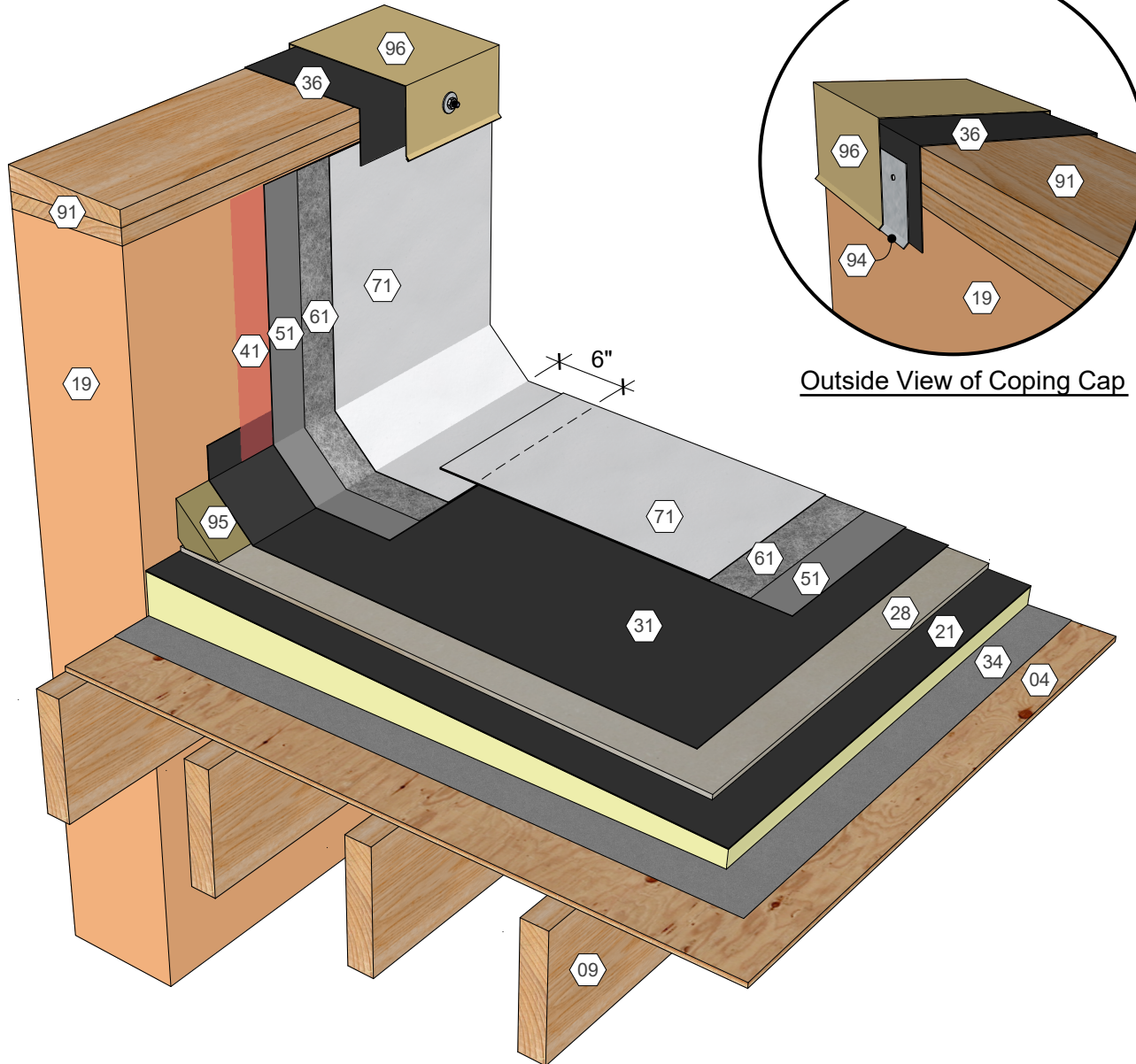
Outside View of Copping Cap

AlphaGuard® MT/MTS Plus Copping Cap Detail, Precast Concrete Deck
 Detail 22013

TREMCO
 ROOFING & BUILDING MAINTENANCE

KEY NOTES

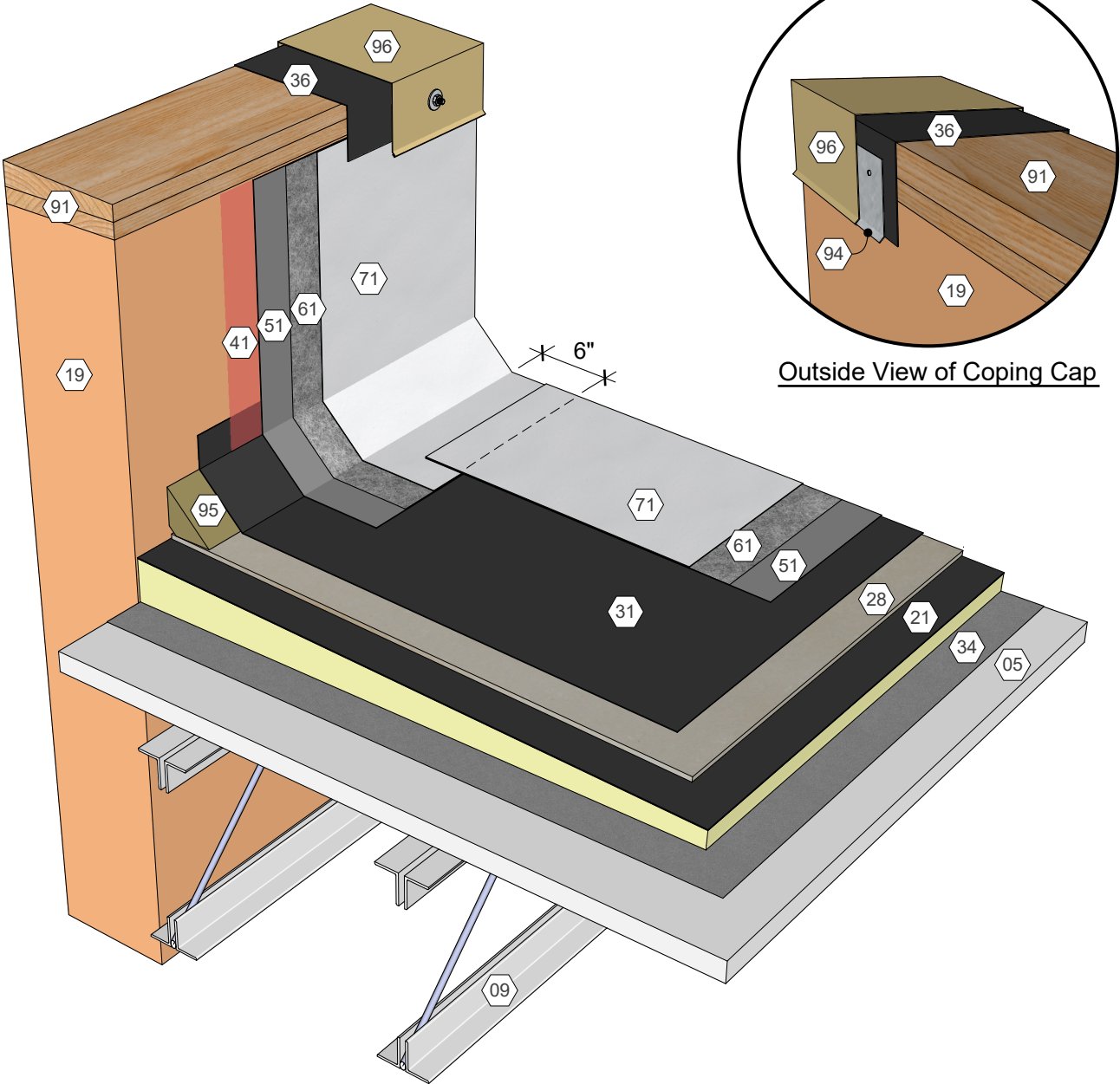
- 04 Wood Deck
- 09 Roof Structure
- 19 Wall Assembly
- 21 Polyisocyanurate Insulation (Adhered)
- 28 Cover Board (Adhered)
- 31 Approved Base Ply Sheet
- 34 Base Sheet (Fastened)
- 36 Base Sheet Liner
- 41 Approved Primer
- 51 AlphaGuard MT/MTS Base Coat
- 61 AlphaGuard Glass Mat or Permafab
- 71 AlphaGuard MT/MTS Top Coat
- 91 Wood Blocking
- 94 Continuous Cleat
- 95 Cant Strip
- 96 Metal Coping



AlphaGuard® MT/MTS Plus Coping Cap Detail, Wood Deck
Detail 22014

KEY NOTES

- 05 Gypsum Deck
- 09 Roof Structure
- 19 Wall Assembly
- 21 Polyisocyanurate Insulation (Adhered)
- 28 Cover Board (Adhered)
- 31 Approved Base Ply Sheet
- 34 Base Sheet (Fastened)
- 36 Base Sheet Liner
- 41 Approved Primer
- 51 AlphaGuard MT/MTS Base Coat
- 61 AlphaGuard Glass Mat or Permafab
- 71 AlphaGuard MT/MTS Top Coat
- 91 Wood Blocking
- 94 Continuous Cleat
- 95 Cant Strip
- 96 Metal Coping



Outside View of Coping Cap

AlphaGuard® MT/MTS Plus Coping Cap Detail, Gypsum Deck
 Detail 22015

